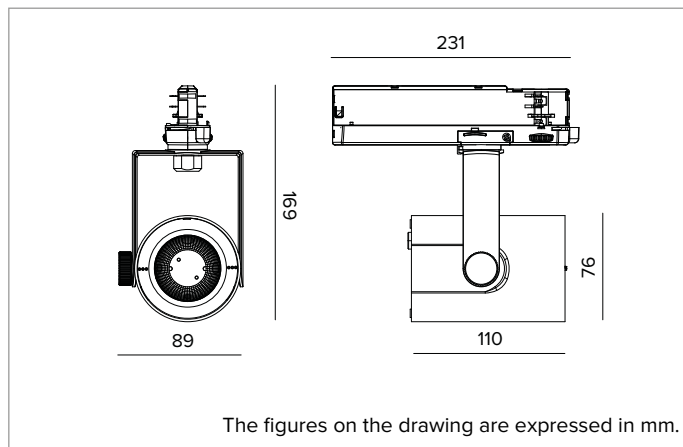


T035SPR940CADB | RAY 75

Professional adjustable LED projector



	4000K	H(m)	D(m)	Emax(lx)		
	Ra90		17°			
	Fixture Power	25W	1	0.30	14212	
	Source Flux	2833lm	2	0.59	3553	
	Fixture Flux	2181lm	3	0.89	1579	
	Efficacy	88lm/W	4	1.19	888	
TS989	Imax=5017cd/klm	Imax	14212cd	5	1.48	568



SOURCE

High efficiency Chip on Board LED Ra90. Ra97 on request.

Energy efficiency class: E

Nominal power: 21W

Nominal flux: 2833lm

Colour rendering index: 90

Rf: 90

Rg: 98

CCT nominal: 4000K

Lifetime (L80/B10): >50000h tq +25°C

ILLUMINOTECHNICAL CHARACTERISTICS

Reflector with ellipsoidal facets in reflective anodised aluminium. Interchangeable reflectors available as accessories.

Optic: REFLECTOR

Beam angles: SP

Optical efficiency: 77%

Fixture flux: 2181lm

Luminous efficacy: 88lm/W

Photobiological safety: Compliant with RG1 low risk group

MECHANICAL CHARACTERISTICS

Painted die-cast aluminium body. Black painted polycarbonate front ring. Adjustable from 0° to -90° on the vertical plane and 359° on the horizontal plane. Mechanical beam locking system on the vertical plane and friction beam locking system on the horizontal plane. The centre of gravity always remains in axis with the track regardless of the aiming.

Colour and finish: Deep black

Dimensions: 75

Weight: 0.53Kg

Degree of protection: IP20

ELECTRICAL CHARACTERISTICS

CASAMBI electronic driver integrated into the track adapter.

Fixture Power: 25W

Power supply: 220-240Vac 50/60Hz

Insulation Class: CLASS 2

Type of driver / Control: CASAMBI

Driver included: YES

Class F: YES

SAFE FLICKER: PstLM=<1 and SVM=<0.4 (IEC TR 61547-1 and IEC TR 63158), to ensure a more comfortable and safe light

Ambient temperature: 0°C / +25°C

INSTALLATION

Electrified track mounting. Optical accessories that can be installed with a support ring are available.

NOTES

110-277Vac version available on request. Commissioning of the control system via free APP; the intervention of a specialist technician can be quoted on request.

WARRANTY

5 years.

WARNING

Luminaire designed for disposal/recycling at end-of-life. Replaceable (LED only) light source by a professional. Replaceable control gear by a professional.

Due to the technological evolution of the electronic components, the data provided may be updated, and as such, confirmation must be requested during the order process.

Luminous flux and power supply have +/-10% tolerances with respect to the indicated value. tq +25°C (CIE 121).

We reserve the right to make technical changes.

Targetti Sankey S.r.l.
Via Pratese, 164
50145 Firenze - Italy
Tel: +39 055 37911
targetti.com
targetti@targetti.com

CCIAA Firenze
Share Capital:
€ 500.000,00
VAT N. (IT):
01537660480
R.E.A: FI-275656

TARGETTI

T035SPR940CADB | RAY 75

Professional adjustable LED projector

Accessories

Optic





Ø mm	Optic	Code
52	SP 17°	A056SPR
52	FL 31°	A056FLR
52	MWFL 48°	A056MWR

Interchangeable anodised reflective aluminium reflectors.
Available in Spot, Flood and Medium Wide Flood beams.

Bracket



Colour	Code
	A058PW
	A058DB

Rigid support bracket for projectors with Eurostandard Plus track attachment.
For compatibility and use please refer to the assembly instructions for the projectors.
For installation of Ray 75 projectors on wall vertical tracks.

Due to the technological evolution of the electronic components, the data provided may be updated, and as such, confirmation must be requested during the order process.

Luminous flux and power supply have +/-10% tolerances with respect to the indicated value. tq +25°C (CIE 121).

We reserve the right to make technical changes.

Targetti Sankey S.r.l.
Via Pratese, 164
50145 Firenze - Italy
Tel: +39 055 37911
targetti.com
targetti@targetti.com

CCIAA Firenze
Share Capital:
€ 500.000,00
VAT N. (IT):
01537660480
R.E.A.: FI-275656

TARGETTI